



North American Headquarters
 601 Rayovac Drive
 Madison, WI 53711
 Telephone 1-800-331-4522
 Internet www.rayovac.com

Marketing Data Sheet - Batteries

S6600354
 Issue B
 Memo No: [MDSR0104](#)

Rayovac Stock Number: **377**

Name: **377 Silver**

ENGINEERING DATA:

Cell Chemistry: Silver Oxide

Designation: ANSI/NEDA – 1176SO, IEC – SR66

Recommended Use: Watch

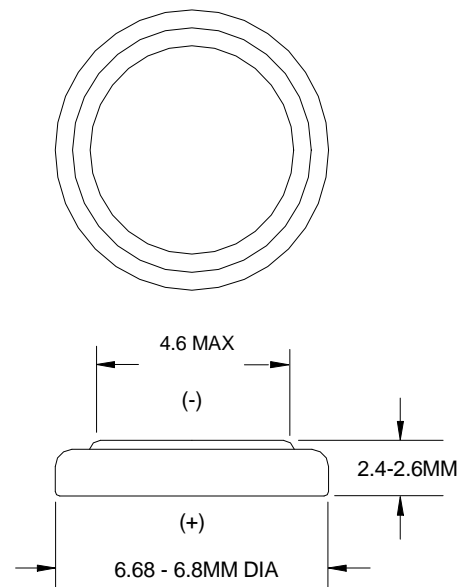
Nominal Voltage: 1.55 volts

Approximate Weight: 0.4 grams

Approximate Volume: 0.09 CU CM

Capacity: 28 mAh – 33k OHM 24 hour/day discharge
 At 68°F (20°C) to 1.2 volts.

Storage Loss At 68°F (20°C): Less than 7% per year.



ITEM	INITIAL	AFTER 1 YEAR	AFTER 2 YEARS
Off-load voltage (Min. V.)	1.55V	1.55V	1.55V
Service life at 20°C Load: 33k ohm (End point 1.2 V)	X 525h MIN 473h	X 496h MIN 446h	X 480h MIN 432h

This data is subject to change. Performance information is typical. Contents herein do not constitute a warranty.