



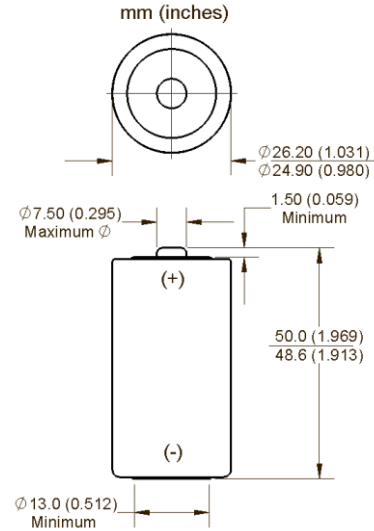
Rayovac Stock Number: 814FUS, 814 OEMFUS

Name: 14A/AC C Fusion Alkaline Battery

## Specifications

**Chemistry:** Alkaline (Zinc-Manganese Dioxide)  
**Designation:** ANSI - 14A, IEC – LR14  
**Nominal Voltage:** 1.5 volts  
**Approximate Weight:** 2.28 Oz (64.5 grams)  
**Approximate Volume:** 1.44 CU IN (23.6 cc)  
**Operating Temp:** -30°C to 55°C (-20°F to 130°F)  
**Shelf Life:** 12 years at 21°C  
**Terminals:** Flat Contact  
**Case material:** Plastic Film  
**Environmental:** No mercury added formulation. Meets Environmental Protection Agency (EPA) requirements for landfill disposal.  
[Rayovac Material Safety Sheets](#)

## IEC Standard Dimensions



## Typical Service Life – ANSI Application Tests

Application and Duty Cycle	Discharge Load	Service
<b>Stereo</b> 2 hr/day	400 mA	14.3 hours
<b>Lighting</b> 4 min/15 min, 8 hr/day	3.9 Ω	22.7 hours
<b>Toy</b> 1 hr/day	3.9 Ω	24.4 hours

## Discharge Curves (Continuous Load)

