



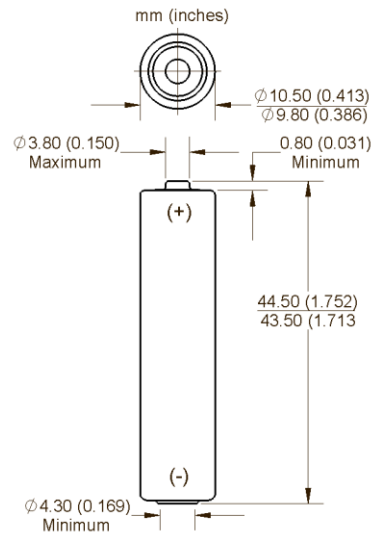
Rayovac Stock Number: **824, 824 OEM, AAA Bulk**

Name: **824 AAA High Energy Alkaline Battery**

Specifications

Chemistry: Alkaline (Zinc-Manganese Dioxide)
Designation: ANSI - 24A, IEC - LR03
Nominal Voltage: 1.5 volts
Approximate Weight: 0.4 Oz (11 grams)
Approximate Volume: 0.2 CU IN (3.5 cc)
Operating Temp: -30°C to 55°C (-20°F to 130°F)
Shelf Life: 10 years at 21°C
Terminals: Flat Contact
Case material: Plastic Film
Environmental: No mercury added formulation. Meets Environmental Protection Agency (EPA) requirements for landfill disposal.
[Rayovac Material Safety Sheets](#)

IEC Standard Dimensions



Typical Service Life – ANSI Application Tests

Application and Duty Cycle	Discharge Load	Service
Home Medical 5 min/hr, 12 hr/day	250 mA	2.42 hours
Lighting 4 min/hr, 8 hr/day	5.1 Ω	4.32 hours
Toy 1 hr/day	5.1 Ω	4.48 hours
Audio 1 hr/12 hr	50 mA	21.8 hours
Remote 15 sec/min, 8 hr/day	24 Ω	20.8 hours

Discharge Curves (Continuous Load)

