



Rayovac Stock Number: **814, 814 OEMF**

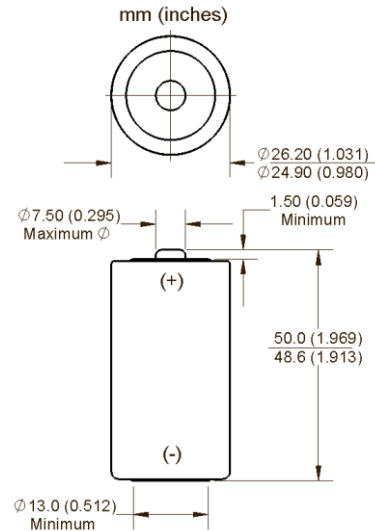
Name: **14A/AC C Alkaline Battery**

Specifications

Chemistry: Alkaline (Zinc-Manganese Dioxide)
Designation: ANSI - 14A, IEC – LR14
Nominal Voltage: 1.5 volts
Approximate Weight: 2.28 Oz (64.5 grams)
Approximate Volume: 1.44 CU IN (23.6 cc)
Operating Temp: -30°C to 55°C (-20°F to 130°F)
Shelf Life: 10 years at 21°C
Terminals: Flat Contact
Case material: Plastic Film
Environmental: No mercury added formulation. Meets Environmental Protection Agency (EPA) requirements for landfill disposal.

[Rayovac Material Safety Sheets](#)

IEC Standard Dimensions



Typical Service Life – ANSI Application Tests

| Application and Duty Cycle | Discharge Load | Service |
|---|----------------|------------|
| Stereo 2 hr/day | 400 mA | 13.6 hours |
| Lighting 4 min/15 min, 8 hr/day | 3.9 Ω | 21.8 hours |
| Toy 1 hr/day | 3.9 Ω | 23.2 hours |

Discharge Curves (Continuous Load)

