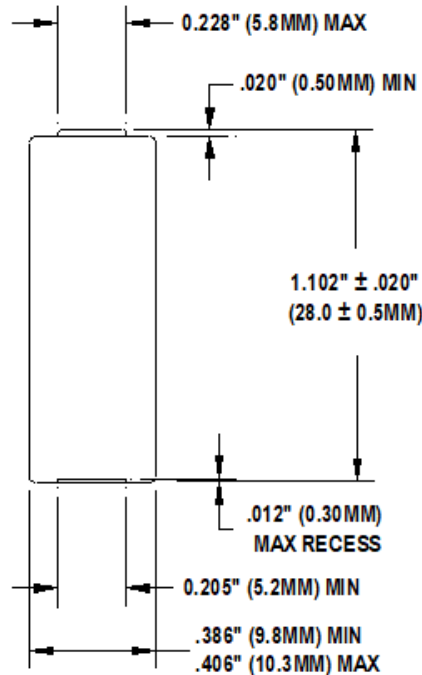


Rayovac Stock Number: **KE23A ZM**

Name: **23A, Alkaline**

**Dimensions:**

(ANSI / IEC Standards)



**Engineering Data:**

<b>Cell Chemistry:</b>	Alkaline Manganese Dioxide	<b>Approximate Volume:</b>	14 CU CM
<b>Designation:</b>	ANSI/NEDA – 1811A	<b>Rated Capacity:</b>	38 mAh (20 K ohm load to 6.0 volts)
<b>Nominal Voltage:</b>	12.0 V	<b>Operating Temp. Range:</b>	-30° C to 55° C
<b>Maximum Off-Load Voltage:</b>	3.7 V	<b>Storage Temp. Range</b>	-20° C to 45° C
<b>Internal Resistance<sup>1</sup>:</b>	1 kHz 10mA Pulse: (20 Ohm Max)	<b>Storage Loss @ 21° C:</b>	85% of original for 3 years storage
<b>Approximate Weight:</b>	7.3 g	<b>Terminals:</b>	Flashlight (Nickel Plated Flat)
<b>Shell:</b>	Steel		
<b>Environmental:</b>	No mercury added formulation meets Environmental Protection (EPA) requirements for landfill disposal.		

**Typical Initial Service @ 70°F:**

**TYPICAL INITIAL SERVICE AT 70°F (HOURS)  
CUTOFF VOLTAGE**

<u>APPLICATION DUTY CYCLE</u>	<u>LOAD</u>	<u>CURRENT (MA AT 9.6V)</u>	<u>6.0V</u>	<u>mAh Capacity To 6.0V</u>
RATING TEST (24 HR/DAY)	20 KOHM	0.48	110	52