



North American Headquarters
 601 Rayovac Drive
 Madison, WI 53711
 Telephone 1-800-331-4522
 Internet www.rayovac.com

Marketing Data Sheet - Batteries

S6600188
 Issue M
 Memo No: [MDSR0104](#)

Rayovac Stock Number: **641**

Name: **641 GENERAL PURPOSE CARBON ZINC**

ENGINEERING DATA:

Cell Chemistry: Carbon Zinc

Designation: ANSI/NEDA – 907

Nominal Voltage: 6 volts

Approximate Weight: 5 Lb 12 Oz (2.62 Kg)

Approximate Volume: .125 CU FT (.004 CU M)

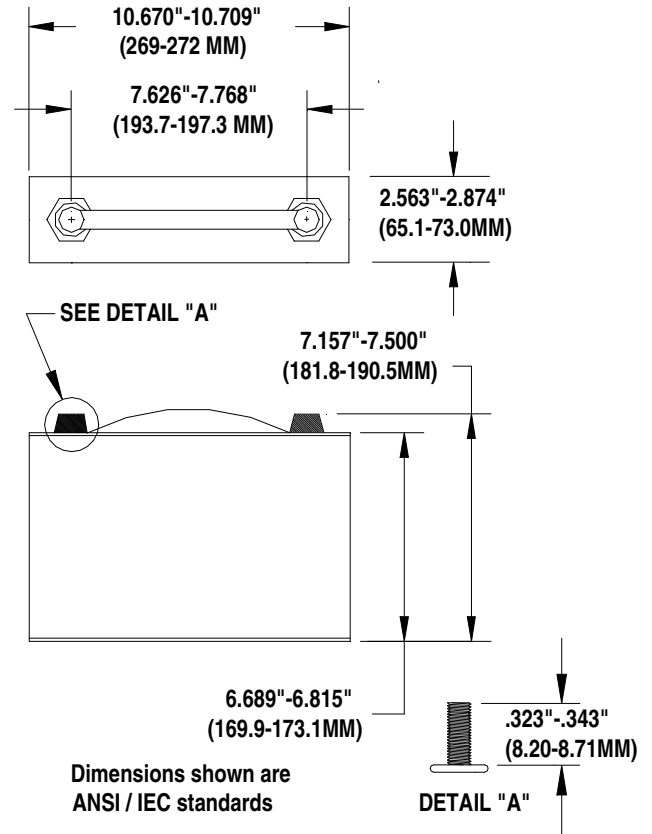
Operating Temp. Range: -30° C to 55° C (-20° F to 130° F)

Terminals: Screw

Shell: Plastic

Number Of Cells: 16

Environmental: Meets Environmental Protection Agency (EPA) Requirements For Landfill Disposal. No Mercury Added Formulation
[Rayovac Material Safety Data Sheets](#)



**TYPICAL INITIAL SERVICE AT 70°F (HOURS)
 CUTOFF VOLTAGE**

APPLICATION DUTY CYCLE	LOAD (OHMS)	CURRENT (MA AT 4.8V)	CUTOFF VOLTAGE			mAh Capacity To 3.6V
			4.4V	4.0V	3.6V	
ELECTRONIC (24 HR/DAY)	200	24	1,565	1,650	1,725	43,850
HIGH RATE RATING (24 HR/DAY)	2.7	1,777	7.8	11.1	14.5	23,750

This data is subject to change. Performance information is typical. Contents herein do not constitute a warranty.