



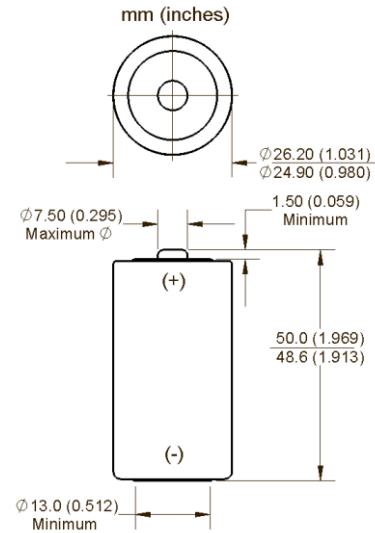
Rayovac Stock Number: 814FUS, 814 OEMFUS

Name: 14A/AC C Fusion Alkaline Battery

Specifications

Chemistry:	Alkaline (Zinc-Manganese Dioxide)
Designation:	ANSI - 14A, IEC – LR14
Nominal Voltage:	1.5 volts
Approximate Weight:	2.28 Oz (64.5 grams)
Approximate Volume:	1.44 CU IN (23.6 cc)
Operating Temp:	-30°C to 55°C (-20°F to 130°F)
Shelf Life:	12 years at 21°C
Terminals:	Flat Contact
Case material:	Plastic Film
Environmental:	No mercury added formulation. Meets Environmental Protection Agency (EPA) requirements for landfill disposal. Rayovac Material Safety Sheets

IEC Standard Dimensions



Typical Service Life – ANSI Application Tests

Application and Duty Cycle	Discharge Load	Service
Stereo 2 hr/day	400 mA	14.3 hours
Lighting 4 min/15 min, 8 hr/day	3.9 Ω	22.7 hours
Toy 1 hr/day	3.9 Ω	24.4 hours

Discharge Curves (Continuous Load)

