



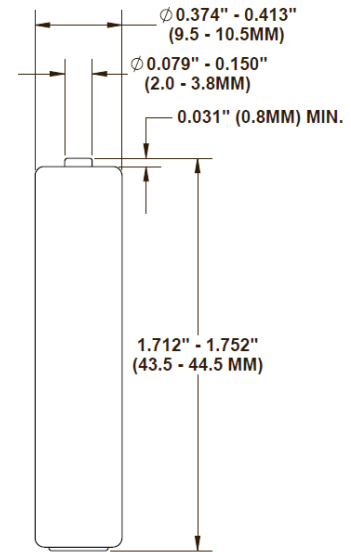
Rayovac Stock Number: 3AAA
Name: 3AAA (AAA) HEAVY DUTY CARBON ZINC

Specifications

Cell Chemistry: Carbon Zinc
Designation: ANSI/NEDA – 24D (AAA),
IEC – R03
Nominal Voltage: 1.5 volts
Approximate Weight: .24 Oz (6.7 grams)
Approximate Volume: .2 CU IN (4.0 CU CM)
Operating Temp. Range: -18° C to 55° C (0° F to 130° F)
Shelf Life: 4 years at 21°C
Terminals: Cap and base
Shell: Plastic
Environmental: No mercury added formulation
Meets Environmental protection
Agency (EPA) Requirements For
landfill disposal.

[Rayovac Material Safety Sheets](#)

ANSI / IEC Standard Dimensions



TYPICAL INITIAL SERVICE AT 70°F (HOURS)

Application and Duty Cycle	Discharge Load	Service
Lighting 4 min/hr. 8 hr./day	5.1 Ω	1.5 hrs.
Toy 1 hr./day	5.1 Ω	1.2 hrs.
Remote 15 sec/min, 8 hrs./day	24 Ω	8.2 hrs.
Radio 4 hrs./day	75 Ω	28.1 hrs.
Release 24 hrs./day	5.1 Ω	1.2 hrs.
Digital Audio 1 hr./12 hrs.	50 mA	8.1 hrs.
Med Mon 5min/hr. 12hrs./day	250 mA	0.4 hrs.

