

Rayovac Stock Number: **HD-9V**
Name: **9 VOLT HEAVY DUTY CARBON ZINC**

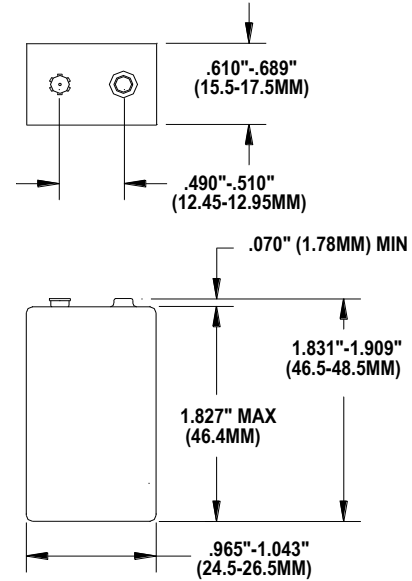


Specifications

Cell Chemistry: Carbon Zinc
Designation: ANSI – 1604CD, IEC – 6F22
Nominal Voltage: 1.5 volts
Approximate Weight: 1.5 Oz (42.5 grams)
Approximate Volume: .45 CU IN (7.4 cc)
Operating Temp: -30° C to 55° C (-20° F to 130° F)
Shelf Life: 2 years at 21°C
Terminals: Snap
Jacket: Metal Jacket
Environmental: No Mercury added formulation
 Meets Environmental Protection Agency (EPA) Requirements for landfill disposal.

[Rayovac Material Safety Sheets](#)

ANSI / IEC Standard Dimensions



TYPICAL INITIAL SERVICE AT 70°F (HOURS)

Application and Duty Cycle	Discharge Load	Service
Radio 2 hr./day	620 Ω	29.7 hours
Toy/Game 1 hr./day	270 Ω	11.5 hours
Release Digital Audio 24 hrs./day	180 Ω	3.48 hours
Smoke Detector Background 1 sec/hr. 24 hrs./day	10K Ω 620 Ω	9.65 hours

Discharge Curve

