



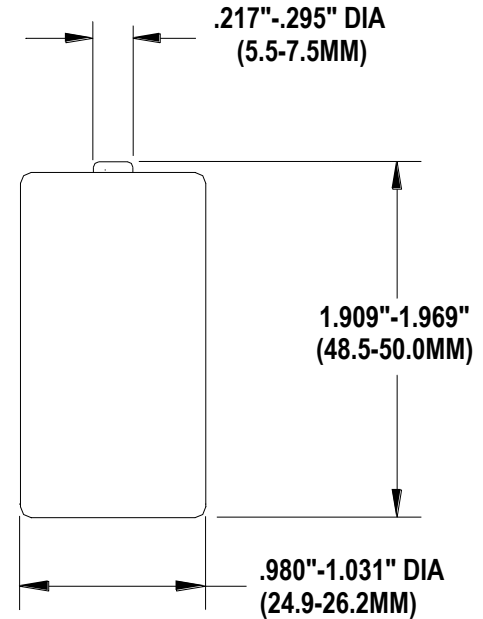
Rayovac Stock Number: **HD-C**
Name: **HD-C HEAVY DUTY CARBON ZINC**

Specifications

Cell Chemistry: Carbon Zinc
Designation: ANSI/NEDA – 14D (C),
IEC – R14
Nominal Voltage: 1.5 volts
Approximate Weight: 1.5 Oz (42.5 grams)
Approximate Volume: 1.6 CU IN (26.2 CU CM)
Operating Temp. Range: -30° C to 55° C (-20° F to 130° F)
Shelf Life: 3 years at 21°C
Terminals: Flashlight
Shell: Steel
Environmental: No mercury added formulation
Meets Environmental Protection Agency (EPA Requirements for landfill disposal).

[Rayovac Material Safety Sheets](#)

ANSI / IEC Standard Dimensions



TYPICAL INITIAL SERVICE AT 70°F (HOURS)

Application and Duty Cycle	Discharge Load	Service
Lighting/Hift 4 min/15 min, 8 hrs./day	3.9 Ω	5.0 hrs.
Toy/Game 1 hr./day	3.9 Ω	5.6 hrs.
Release 24 hrs./day	3.9 Ω	2.7 hrs.
Portable Stereo 2 hrs./day	400 mA	1.3 hrs.

Discharge Curves - ANSI Test

