



533 Maryville University Drive, St. Louis, MO  
63141 www.rayovac.com

**813, 813 OEM, D ULTRA PRO**

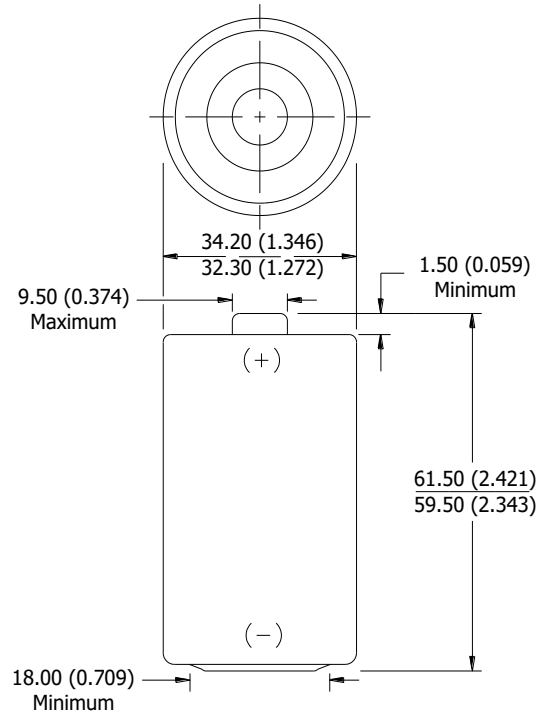
General Information

Battery Number: 813, 813 OEM  
 Type: D ULTRA PRO  
 Chemistry: Alkaline  
 Zinc-Manganese Dioxide (Zn/MnO<sub>2</sub>)  
 Designation: ANSI-13A, IEC-LR20  
 Nominal Voltage: 1.5  
 Shelf Life: 10 years at 21°C  
 Operating Temp: -18°C to 55°C  
 Weight: 144 grams  
 Volume: 56 cc  
 Terminals: Flat contact



Industry Standard Dimensions

mm (inches)



**Industry Standard ANSI / IEC Tests:**

Typical Performance

Name	Test	Runtime
Portable Stereo	600 mA 2HR/DY 21C to .9V	15.3 hours
Portable Lighting (ANSI)	1.5 Ω 4MIN/15MIN, 8 HR/DY 21C to .9V	14.2 hours
Toy	2.2 Ω 1 HR/DY 21C to .8V	24.3 hours
Radio	10 Ω 4 HR/DY 21C to .9V	121.7 hours
Portable Lighting (IEC)	2.2 Ω 4MIN/HR, 8 HR/DY to .9V	24.0 hours

Important Notice

This datasheet contains typical information specific to products manufactured at the time of its publication. Contents herein do not constitute a warranty and are for reference only.